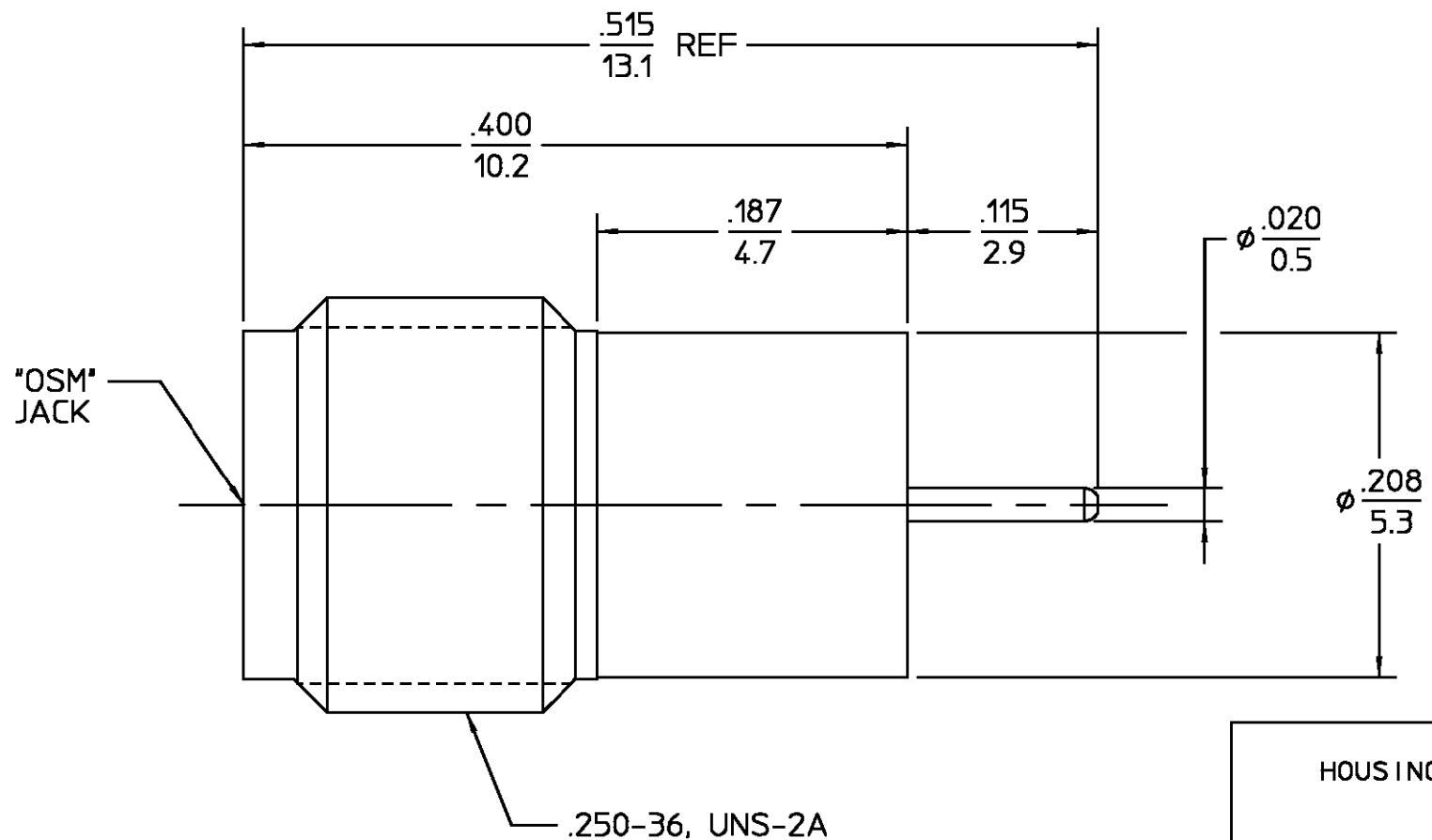


REVISIONS			
REV	DESCRIPTION	DATE	APPROVED
05 ₂	REDRAWN IN CAD; ECN 97-0001	KYLE 8-27-97	<i>DCpm</i> 8/27/97



.XXX = in
XX.X = mm (REF)

ELECTRICAL	MECHANICAL	ENVIRONMENTAL
Nominal Impedance (Ohms) <u>50</u>	Interface Dimensions <u>MIL-STD-348A</u>	Temperature Rating <u>-65°C To +165°C</u>
Frequency Range (GHz) <u>DC to 18</u>	<u>Fig. 310.2</u>	Vibration <u>MIL-STD-202, Method 204, Condition D</u>
Volt Rating (VRMS MAX) <u>333</u>	Recommended Mating Torque <u>N/A</u>	Shock <u>MIL-STD-202, Method 213, Condition I</u>
VSWR <u>1.05 + .01f(GHz)</u>	Mating Characteristics:	Thermal Shock <u>MIL-STD-202, Method 107, Condition B,</u>
Insertion Loss (dB MAX) <u>.04√f(GHz)</u>	Insertion (MAX Lbs) <u>3.0</u>	Moisture Resistance <u>MIL-STD-202, Method 106</u>
RF Leakage (dB MIN) <u>-(100 - f(GHz))</u>	Withdrawal (MIN Oz) <u>1.0</u>	Corrosion - <u>MIL-STD-202, Method 101, Condition B, 5% salt spray</u>
Corona, 70,000 Ft (VRMS MIN) <u>333</u>	Force to Engage and Disengage (In/Lbs MAX) <u>2.0</u>	Leak Test- <u>MIL-STD-202, Method 112, Condition C.</u>
Dielectric Withstanding Voltage (VRMS MIN) <u>1000 @ Sea Level</u>	Center Contact Captivation Axial (Lbs) <u>6.0</u>	(1 x 10 ⁻⁸ cc/sec/atm)
Contact Resistance (Milliohms MAX) Center Contact <u>10.0</u>	Radial (In/Oz) <u>N/A</u>	
Outer Contact <u>2.0</u>	Weight (Grams) <u>T.B.D.</u>	
RF High Potential (VRMS MIN @ 5 MHz) <u>667 @ Sea Level</u>		
LR.(Megohms MIN) <u>5000</u>		

HOUSING	STAINLESS STEEL PER ASTM-A484 AND ASTM-A582, TYPE 303	GOLD PLATE PER MIL-G-45204
DIELECTRIC	PTFE FLUOROCARBON PER ASTM-D-1457	N/A
CENTER CONTACT	BERYLLIUM COPPER PER ASTM-B-196 OR ASTM-B-197, ALLOY C17300, CONDITION H	GOLD PLATE PER MIL-G-45204
CONTACT EXT	IRON-NICKEL-COBALT ALLOY PER MIL-I-23011 CLASS 1 (KOVAR)	GOLD PLATE PER MIL-G-45204
HERMETIC SEAL	GLASS BEAD	N/A
COMPONENT	MATERIAL	FINISH

UNLESS OTHERWISE SPECIFIED DIMENSIONS ARE IN INCHES FRAC. ± 1/64 DEC. ± .005 ANGLES ± 1°	DRAWN BY BDW	DATE 9-29-88	AMP	AMP Incorporated 140 Fourth Avenue Waltham, MA 02451-7599
	CHECKED BY G.S	4-29-88		
	APPD BY G.D	5-5-88		
USE ASSY PROCEDURE NO. A.P. <u>N/A</u>	TITLE "OSM" PANEL FEEDTRU JACK RECEPTACLE-HERMETIC SEAL			
	SIZE B	CODE IDENT NO. 26805	2058-3123-00	REV 05 ₂
	SCALE 10:1			SHEET 1 OF 1

CUSTOMER DRAWING

AMP PART # 1053141-1
SHEET 1 OF 1 REV A